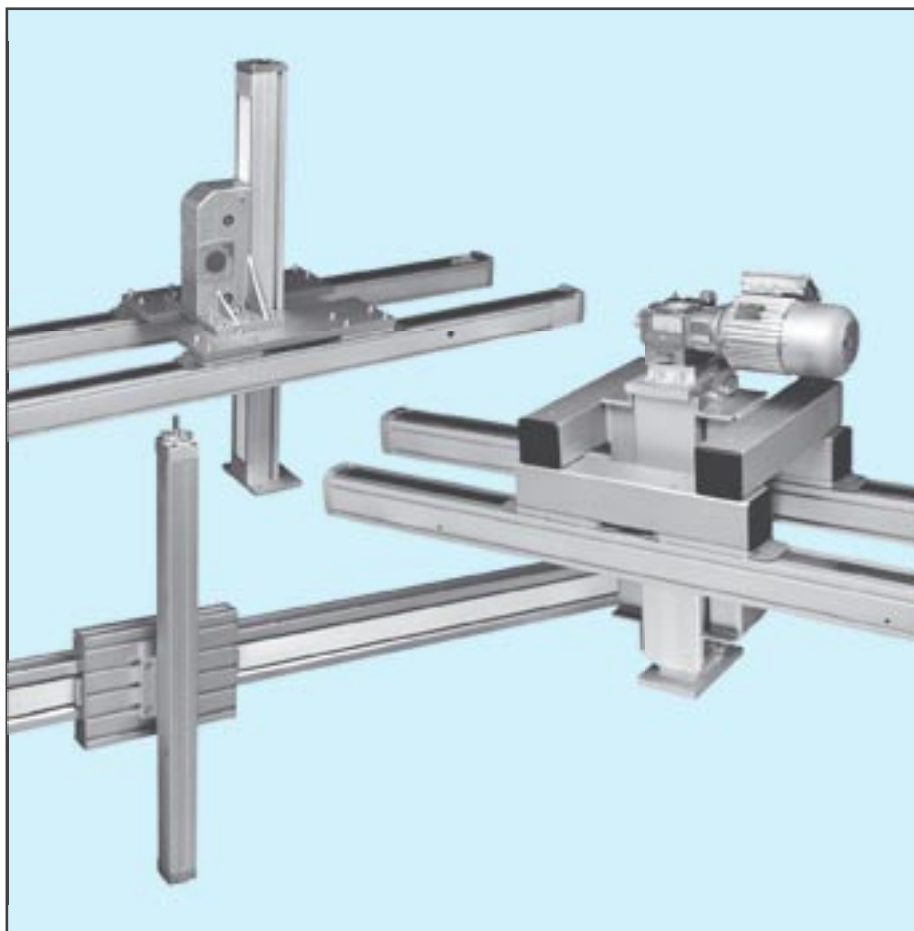


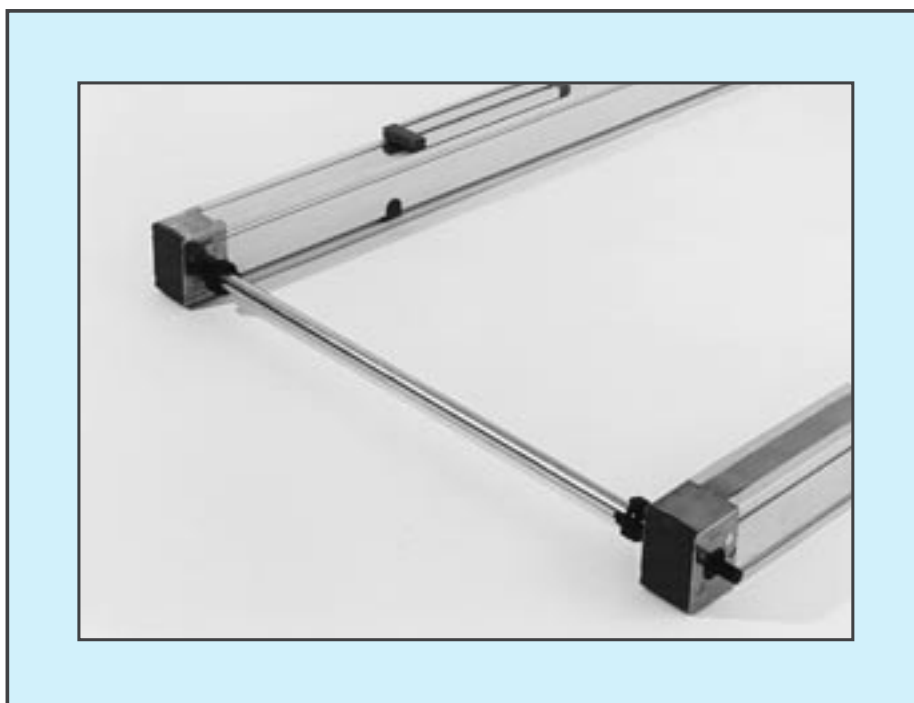
## Multi axis system kits

### Multi axis mounting kits



- Create two or three axis gantry robots
- Quick and easy mounting
- Space saving
- Minimum of parts
- Designed to match the performance of the actuators.

### Intermediate shafts

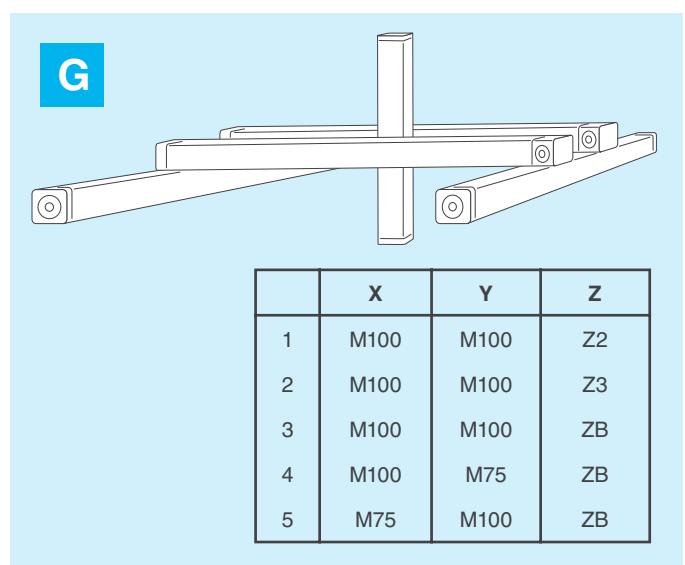
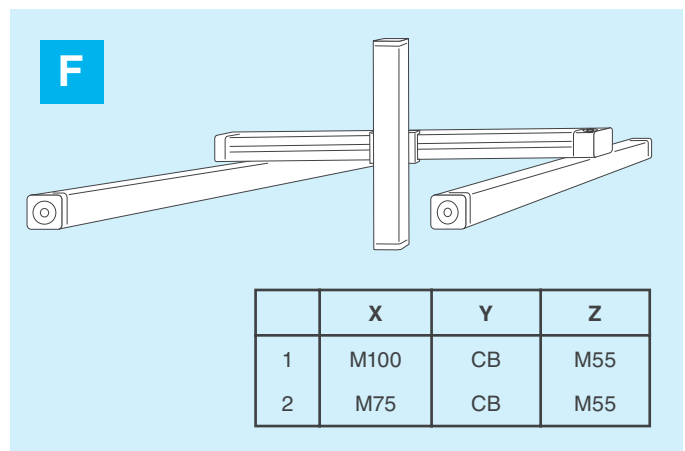
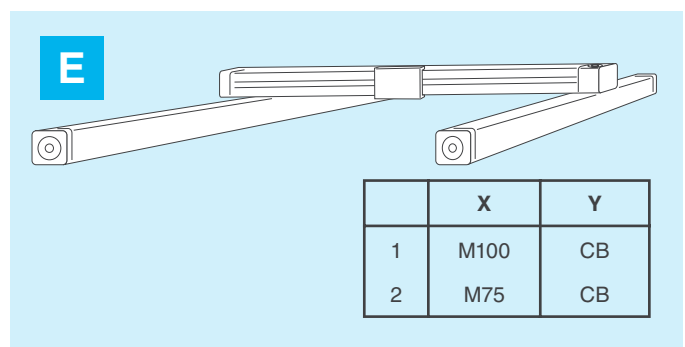
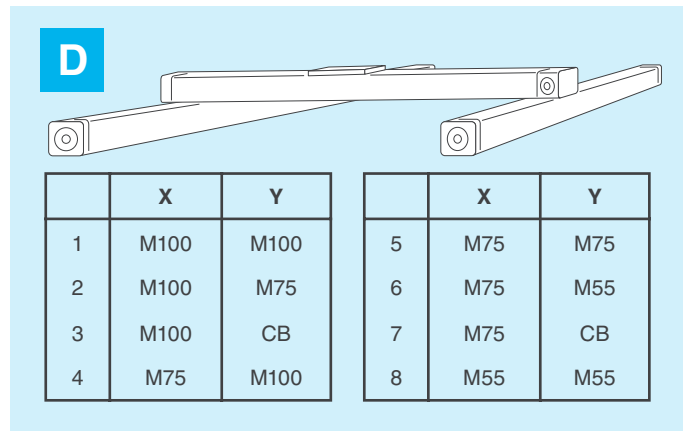
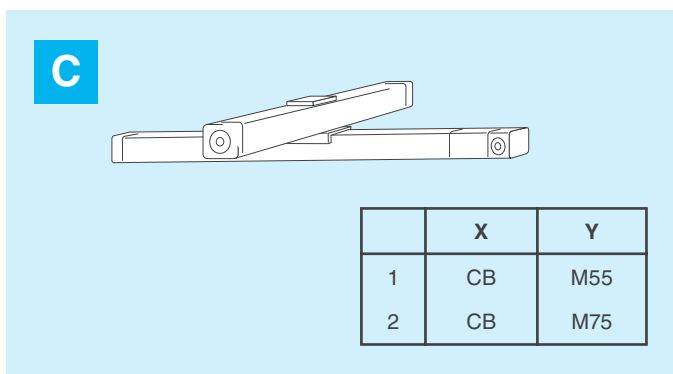
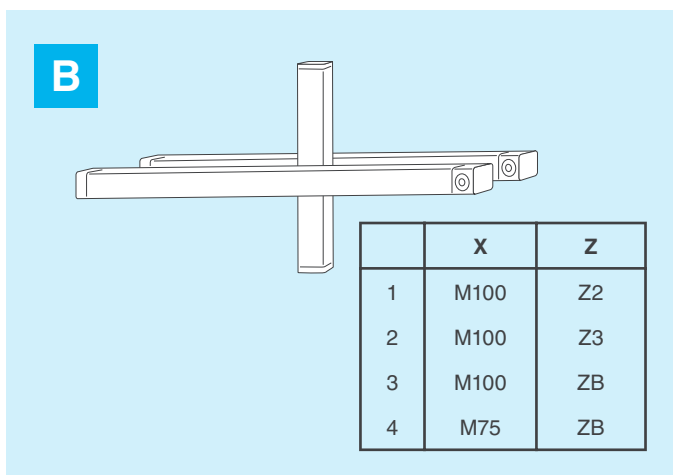
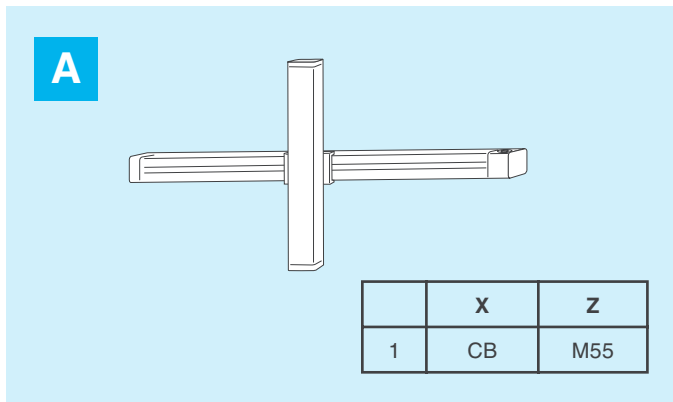


- Easy mounting
- Designed to match the performance of the actuators.

## Multi axis system examples

Creating a multi axis system is easy due to the comprehensive range of accessories. A few of all the possible configurations are shown here to give an idea of what can be done.

For more information, please contact your nearest sales office.



## Multi axis mounting kits

**X/Y clamp kits**

X	M55	M55	M75	M75	M75	M100	M100
Y	M55	M75	M55	M75	M100	M75	M100
	D313 424	-	-	D312 719	-	-	D312 304
	-	D313 470	D313 060	-	D313 062	D313 292	-
a	96	-	-	129	-	-	182
b	56	-	-	75	-	-	92
c	-	134	80	-	190	190	-
d	-	80	134	-	100	100	-
h1	138	176,5	176,5	185	231	231	237
h2	69	92,5	69	92,5	118,5	92,5	118,5
h3	-	15	15	-	20	20	-

**X/Y bracket kits**

X	CB	M75	M100
Y	CB	CB	CB
	D320 004	-	-
	-	D313 064	D313 294
a	-	100	120
h1	222	218	249
h2	111	110,5	110,5
h3	-	15	20

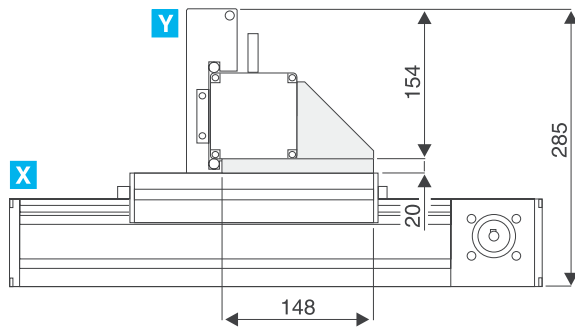
## Multi axis mounting kits

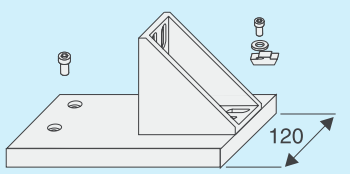
<b>X/Y clamp kits</b>			
<b>X</b>	<b>CB</b>	<b>CB</b>	<b>CB</b>
<b>Y</b>	<b>M55</b>	<b>M75</b>	<b>M100</b>
	D313 490	D312 759	D313 290
	D313 491	D312 762	D313 299
a	96	129	182
b	25	30	40
c	60	75	75
h1	180	204	230
h2	69	92,5	118,5

<b>X/Y bracket kits</b>		
<b>X</b>	<b>M75</b>	<b>M100</b>
<b>Y</b>	<b>CB</b>	<b>CB</b>
	D313 066	D313 066

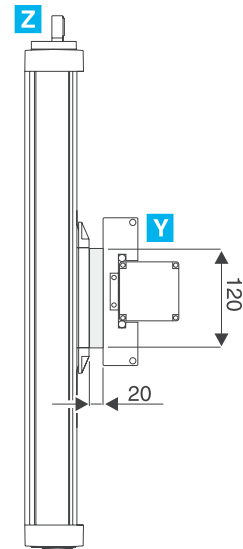
## Multi axis mounting kits

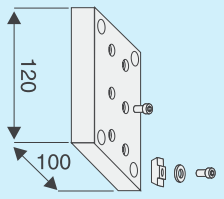
### X/Y bracket kits



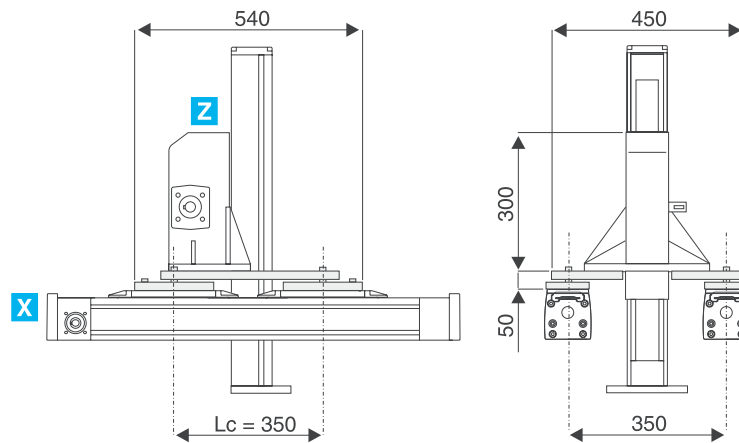
X	CB
Y	CB
	D320 001

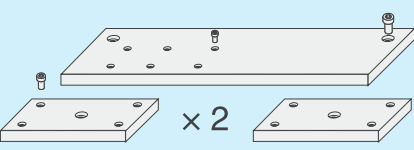
### X/Z saddle plate



Y	CB
Z	M55
	D313 472

### X/Z saddle plates



X	2 x M75	2 x M100
Z	ZB	ZB
	D320 201	D320 202

## Multi axis mounting kits

X/Z mounting frame	
X	2 x M100
Z	Z2/Z3
	D800 251